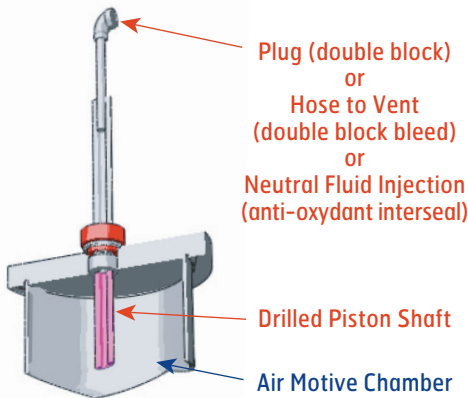


REFINERY ANALYSERS CERTIFICATION

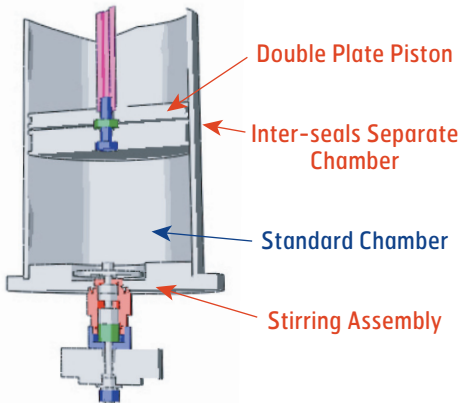
CALIBRATION CYLINDER

- Piston floating
- No vapor loss/ bubbles
- Continuous mixing
- Accepts oxygenates
- Anti-oxidant inter-seal
- Autoclean scrapper
- Capacity 10 to 1 000 dm³



ANALYSERS VALIDATION

- ULTRA LOW SULFUR
- ASTM D 2885 OCTANE
- NIR CHEMOMETRIC
- DISTILLATION
- RVP
- FLASH-POINT
- CHROMATOGRAPH



OPTA-PERIPH

Website : www.opta-periph.com